

# AquaForce II LED

# THORN

## AQ6400Z / 96241871 AQUAF2 LED 6400 HF L840

LED 53W LED_AQUL_6748		IP65	IK08			850 °C	T <sub>a</sub> -20 +25
-----------------------	--	------	------	--	--	--------	---------------------------

### AquaForce II LED

An IP65, dust and moisture resistant, LED luminaire.  
Electronic, fixed output control gear. Class I electrical.  
Canopy: light grey polycarbonate. Diffuser: polycarbonate with linear prisms. Toggles: stainless steel. For surface or suspended mounting. Quick-fix brackets supplied for surface mounting. Mounting kits for conduit, chain suspension and catenary suspension are available as accessories. Complete with 4000K LED.

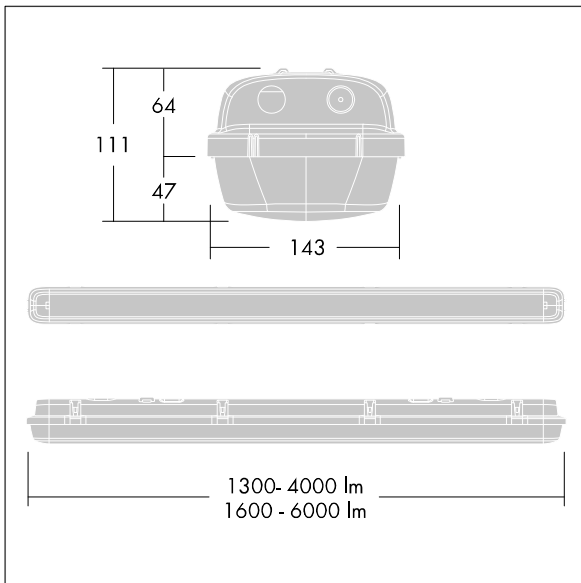
Dimensions: 1600 x 147 x 118 mm

Total power: 53 W

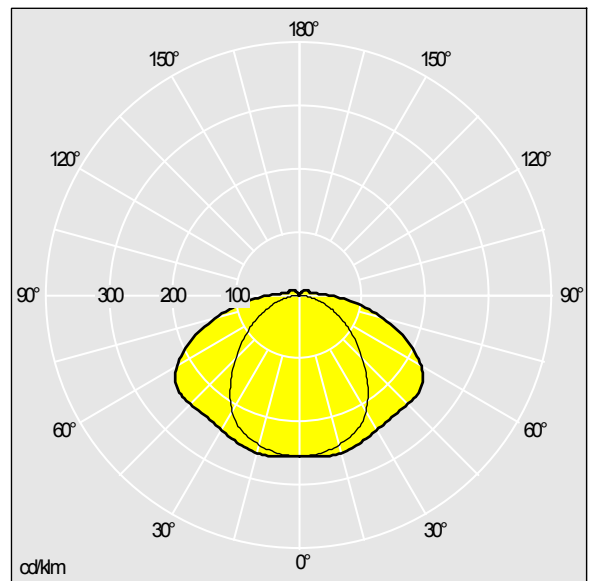
Weight: 2.8 kg



TLG\_AQUL\_F\_2PDB.jpg



TLG\_AQUL\_M\_LED.wmf



TLG\_SP\_0041101.idt

Lamp position: STD - standard  
Light Source: LED  
Luminaire luminous flux\*: 6400 lm  
Luminaire efficacy\*: 121 lm/W  
Lamp efficacy: 121 lm/W  
Colour Rendering Index min.: 80  
LOR: 1,00 ULOR: 0,07 DLOR: 0,93

Correlated colour temperature\*: 4000 Kelvin  
Rated median useful life\*:  
50000h L70 at 25°C  
Ballast: 1x HF\_ Tridonic LCA  
Luminaire input power\*: 53 W Lambda = 0.94  
Dimming: Fixed output  
Maintenance category: E - Dust-proof IP5X

All values marked with an \* are rated values. Thorn uses tried and tested components from leading suppliers, however there may be isolated instances of technology-related failures of individual LEDs during the rated product lifetime. International standards set the tolerance in initial flux and connected load at  $\pm 10\%$ . Colour temperature is subject to a tolerance of up to  $\pm 150$  Kelvin from the nominal value. Unless stated otherwise, the values apply to an ambient temperature of 25°C.

In most products the failure of one LED point causes no functional impairment to the lighting performance of the luminaire and is therefore no reason for complaint.

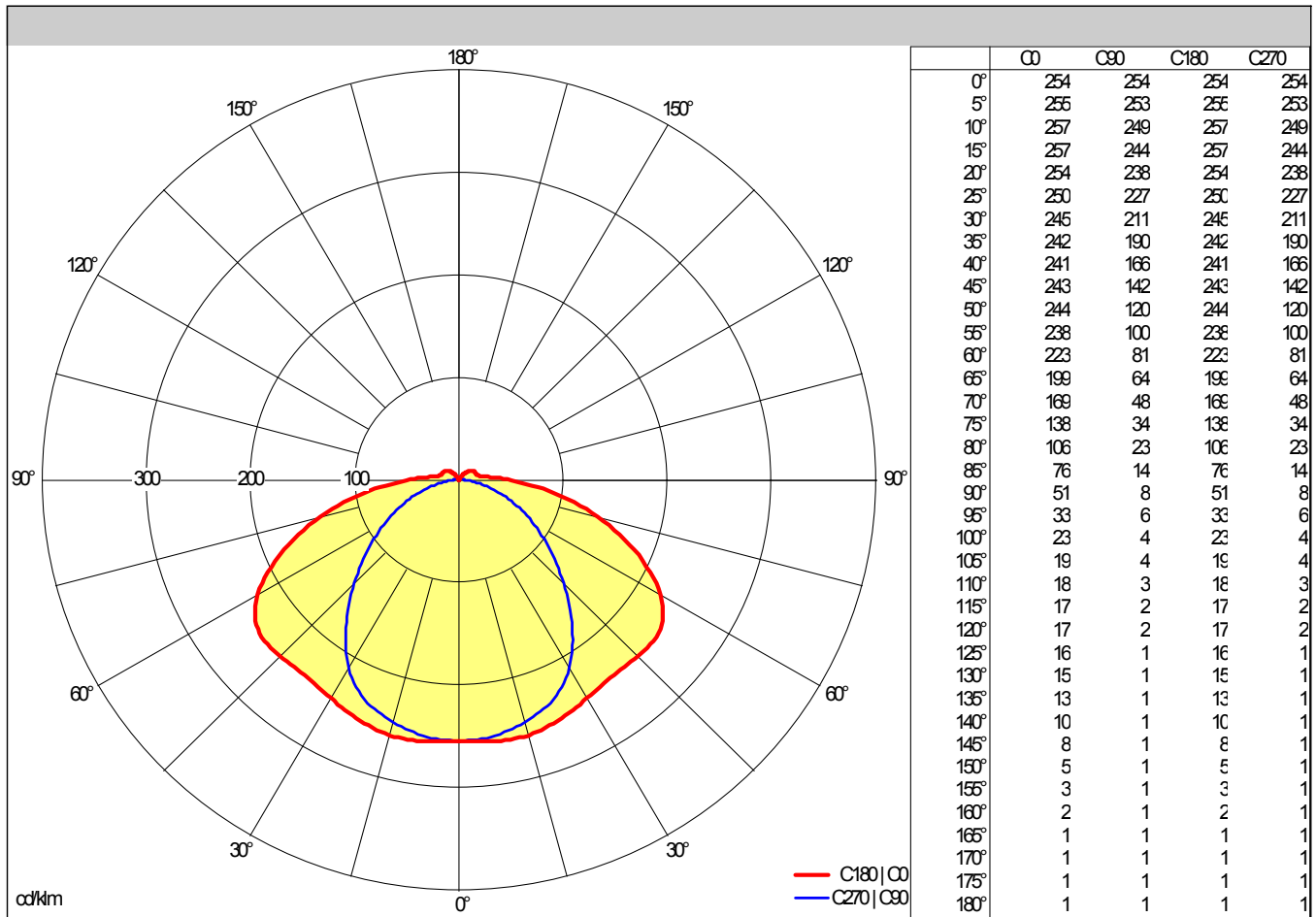
Thorn Lighting is constantly developing and improving its products. The right is reserved to change specifications without prior notification or public announcement.

© Thorn Lighting

# AquaForce II LED



AQ6400Z / 96241871 AQUAF2 LED 6400 HF L840



Light output ratio	
LOR	100%
ULOR	7%
DLOR	93%
FFR	0.08 (7:93)
BLF	1.00

Gare Evaluation	
X=4H Y=8H	S=1.00H
Reflection factors	70/50/20
UGRtransversal	<28
UGRaxial	<22

Classification	
LITG	A31
EN	
BZ	B25
UTE	0.93 G+0.07 T
CIE Flux Codes	39 69 90 93 100

Utilization Factors									
Room Reflectance Ceiling/Walls/Floor	Room Index								
	0.75	1.00	1.25	1.50	2.00	2.50	3.00	4.00	5.00
70/50/20	NA	62	69	74	82	87	90	95	98
70/30/20	NA	54	61	67	75	80	84	90	94
70/10/20	NA	48	55	61	69	75	79	86	90
50/50/20	NA	60	66	71	77	82	85	90	92
50/30/20	NA	53	59	64	72	77	80	86	89
50/10/20	NA	47	54	59	67	72	76	82	86
30/50/20	NA	57	63	67	73	78	81	85	87
30/30/20	NA	51	57	62	69	73	77	81	85
30/10/20	NA	46	52	57	65	70	74	79	82
0/0/0	NA	43	49	53	60	64	68	73	76

According to CIBSE Technical Memorandum No. 5 1980

SHR <sub>Nom</sub> =	1.75
SHR <sub>Max</sub> =	1.78
SHR <sub>Max TR</sub> =	2.40

Photometric data file: TLG\_SP\_0041101.ltd