



AE3LED/3M/W

Eagle 3-In-1 LED Exit Sign Maintained / Non-Maintained 2.5W White



Features

Modern, slim, 3-In-1 LED Exit Sign.

Self-test option.

One fitting that enables choice of three different mounting options :- suspension, recessed or side arm wall mounting.

Viewing distance 25 Metres.

General Information

Lamp Type	LED
Colour / Finish	White
IP Rating	IP20
Class Protection	1
Internal / External	Internal
Warranty (Years)	3
CE Mark	Yes
Accessories	AE3LED/ALAR, AE3LED/L/AD, AE3LED/L/AU, ASBP/4

Technical Information

Wattage	2.5W
Lumens Delivered	15lm (Emergency)
CCT	6500K
Input	230V
Hertz	50/60Hz
Operating Temp	0C° to 40C°

Technical Data - ETIM - Emergency luminaire (EC001957)

Function Escape route signage

With light source Yes

Colour housing White

Nominal voltage 230-230 V

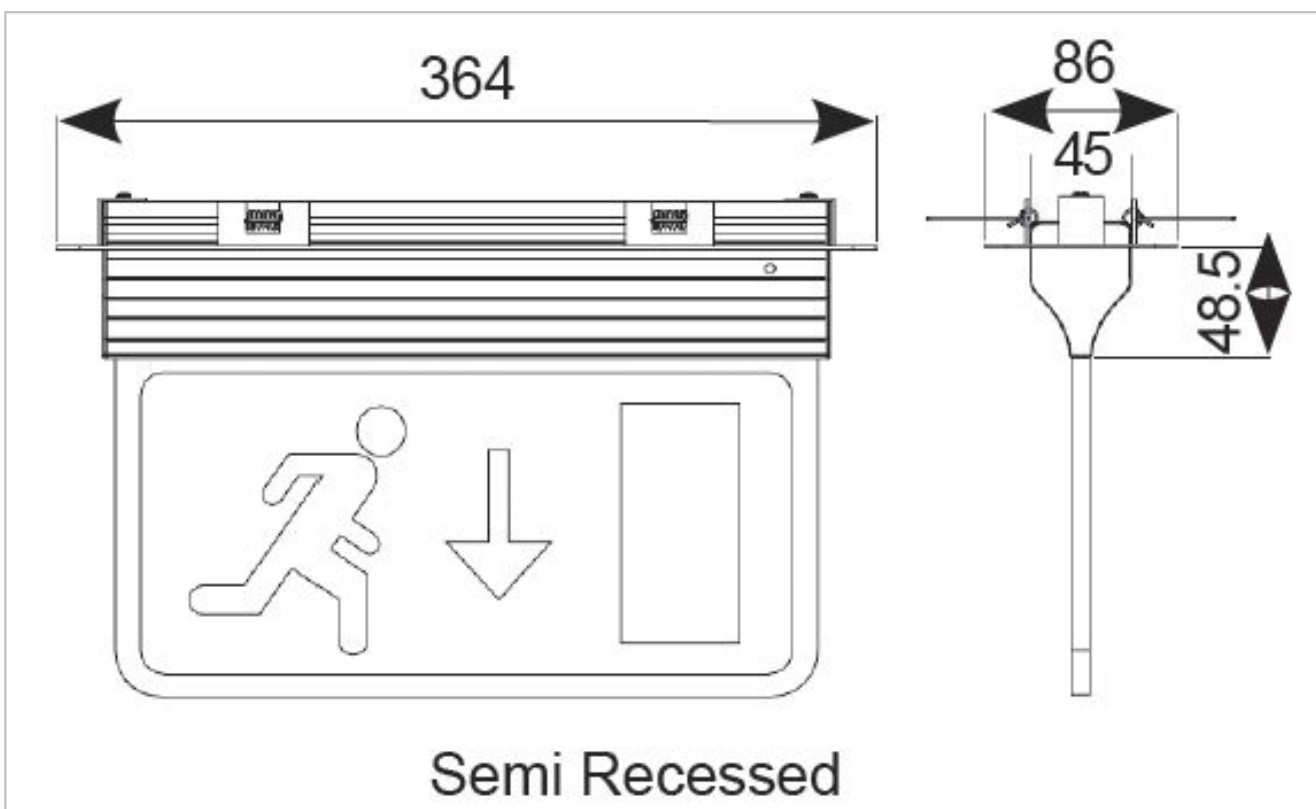
Degree of protection (IP) IP20

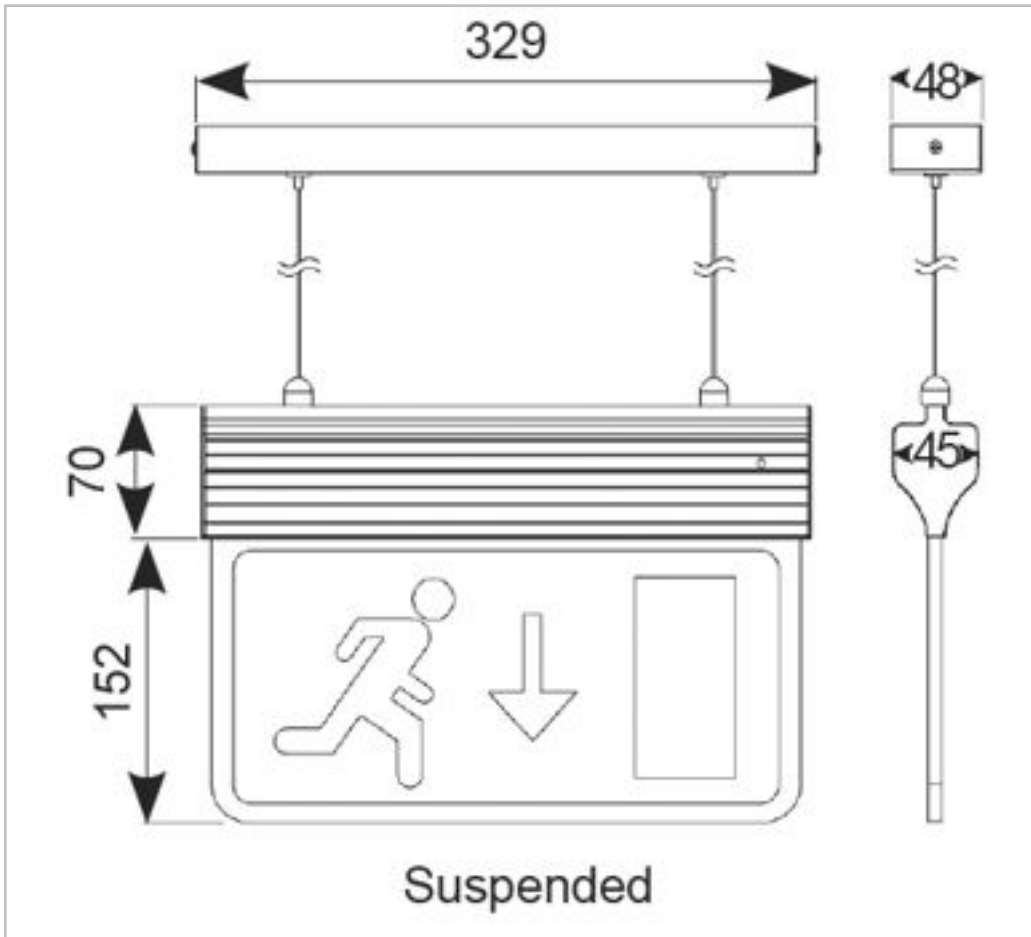
Protection class I

Max. system power 2.5 W

Colour temperature 6500-6500 K

Recognition distance 25 m





Datasheet generated from <https://onetimepim.com> last updated Thursday, August 6, 2020 9:20:25 AM

