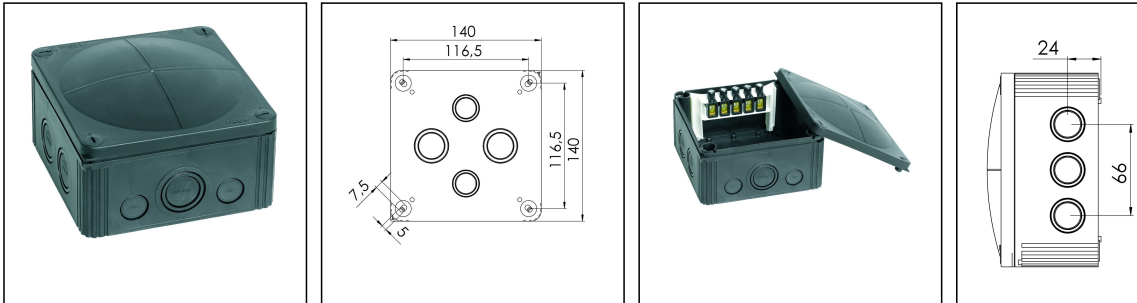



COMBI 1010/5/S

Junction box, polypropylene



Product illustrations are exemplary and may differ from the chosen product. Further variants and individual customization, we will gladly provide you on request.



| | |
|-------------------------------------|---|
| Material | Polypropylene |
| Material sealing gasket | TPE |
| Temp. range min | -30 °C |
| Temp. range max | 100 °C |
| Temperatures during install. | -5 °C - 60 °C |
| Protection class | IP66/67 |
| Glow wire test | 750 °C |
| Voltage | 690 V |
| Terminals/poles | 10 mm ² |
| Terminals/poles | 5 x 10mm ² |
| Fixing | 4 internal openings |
| Ø cable diameter min | 6 mm |
| Ø cable diameter max | 21 mm |
| External dimensions LxWxH | 140 x 140 x 82mm |
| Using for cable gland |  |
| Product Color | RAL 9005 |
| WISKA-Order no. | 10062215 |
| Type | COMBI 1010/5/S |
| Packing unit | 2 |
| ETIM-Classification | EC002600 |

Remarks:

- IP66: using the QUIXX self sealing membrane screw
- IP67: using the knockout entry together with
- ESKV cable gland
- Mounting: 4 internal openings outside of the sealing area

WISKA Hoppmann & Mulsow GmbH
 Kisdorfer Weg 28 · 24568 Kaltenkirchen · Germany
 ☎ +49-4191-508-0 · 📠 +49-4191-508-209
 contact@wiska.com · www.wiska.com

Equipment: 10 knockouts side 5x M25/M32; 2x M20; 3x M20/M32
4 knockouts in the bottom 2x M25/M32; 2x M20/M25
4 captive cover screws
incl. QUIXX EMS self-sealing membrane screw 2x M25; 1x M32
incl. terminal block 5-poles, 10mm²

03.10.2016

