

Interface Characteristics

Rated & operational voltage (U_n / U_e)

415V a.c. 50Hz

Rated insulation voltage (U_i)

690V a.c. 50Hz

Rated impulse withstand voltage (U_{imp})

4kV

Rated current of the Assembly (I_{nA})

JKD1xxPM 125A

Rated current of an Outgoing circuit (I_{nC})

MCB 0.5A - 63A (marked rated current on device)

RCBO 6A - 50A (marked rated current on device)

Rated Current of Pan Assembly

Upper Pan $I_n = 125A$ (RDF = 1)

Lower Pan $I_n = 125A$ (RDF = 1)

Rated conditional short-circuit current of the ASSEMBLY (I_{cc})

10kA¹ with equipment and arrangements specified in Hager's technical documentation / catalogue.

MCB/RCBO 10kA rating applied as BS EN 61439-3 is intended for use by ordinary persons.

¹Current limitation characteristics specified in Hager's technical documentation / catalogue

Protection against electric shock

DBO shall be installed in an electrical system conforming to IEC 60364 / BS 7671

Rated diversity factor (RDF) / Values of assumed loading

10 way - 24 way = 0.5

Note: RDF only applies to continuously and simultaneously loaded circuits.

Rated frequency (fn)

50 Hz

Pollution degree

2

Types of system earthing for which the ASSEMBLY is designed

TNC-S, TN-S and TT when installed in an electrical system conforming to BS 7671

Intended locations

Indoor use only

Stationary ASSEMBLY

Degree of protection

IP3XD with Door Closed

IP2XC with Door Open and compliment of outgoing devices and or blanks fitted.

Intended use

Distribution boards intended to be operated by ordinary persons (DBO)

Electromagnetic compatibility (EMC) classification

EMC Environment B

External design

Wall-mounted, surface type, enclosed assembly.

Mechanical impact protection

IK05

The type of construction

Fixed parts

DBO Type

Type B DBO

Warranty

This distribution board is offered with a 24 month warranty against defective material or manufacture. If a warranty claim is necessary, please call the technical support number given at the bottom of the page and we will be pleased to help.

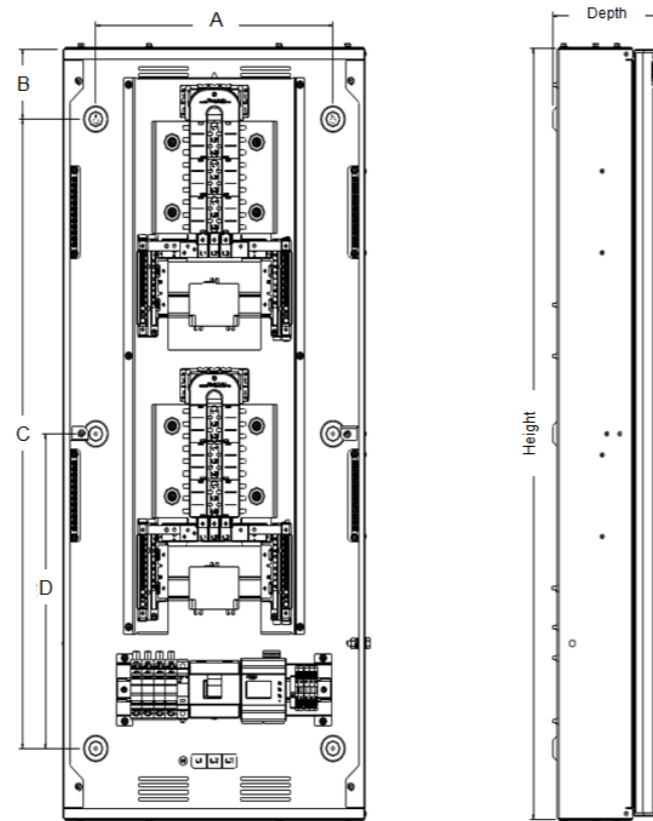
Hager Technical Help Line: 01952 675 689
Hager Technical Fax: 01952 675 557

Website: www.hager.co.uk
E-mail us: info@hager.co.uk
Twitter: @hageruk

Designation	H	W	D
JKD146PM	1100	465	165.5
JKD166PM	1100	465	165.5
JKD164PM	1100	465	165.5
JKD168PM	1250	465	165.5
JKD188PM	1250	465	165.5
JKD186PM	1250	465	165.5
JKD1416PM	1400	465	165.5
JKD1164PM	1400	465	165.5
JKD1812PM	1400	465	165.5
JKD1128PM	1400	465	165.5
JKD11212PM	1400	465	165.5

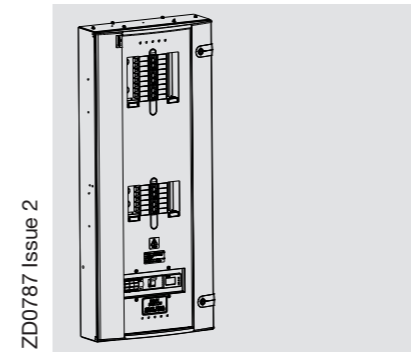
Accessories

JK01B	Single Pole Blank
JK222PK	JK1 / JK2 Door Lock Kit
JK1PLATEM	Gland Plate + Drill Markings
JK107DL	7 Input Data Logger with TCP/IP



Fixing Centres	A	B	C	D
JKD146PM	365	100	900	450
JKD166PM	365	100	900	450
JKD164PM	365	100	900	450
JKD168PM	365	100	1050	525
JKD188PM	365	100	1050	525
JKD186PM	365	100	1050	525
JKD1416PM	365	100	1200	600
JKD1164PM	365	100	1200	600
JKD1812PM	365	100	1200	600
JKD1128PM	365	100	1200	600
JKD11212PM	365	100	1200	600

:hager

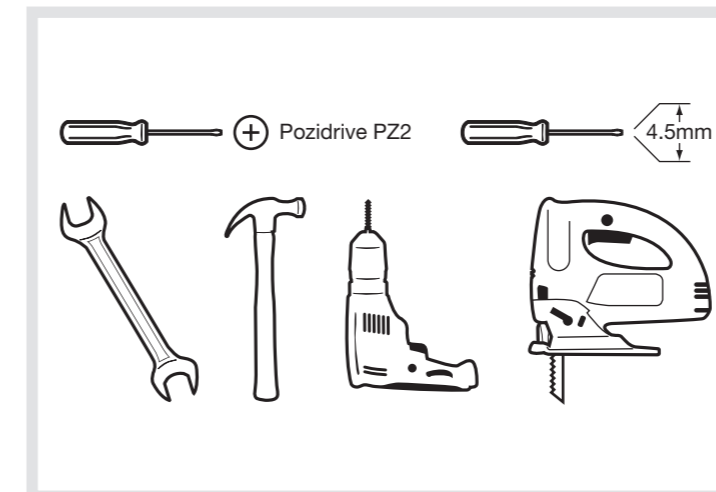


GB JKD1***PM

ZD0787 Issue 2

Notice d'instructions
User instructions
Bedienungsanleitung
Instrucciones de uso
Instruções
Bruksanvisning
Gebruiksaanwijzing

Invicta 3



All product(s) must be installed by a suitably competent electrician giving consideration to their intended use and in accordance with the current edition of BS 7671 (IET Wiring Regulations).

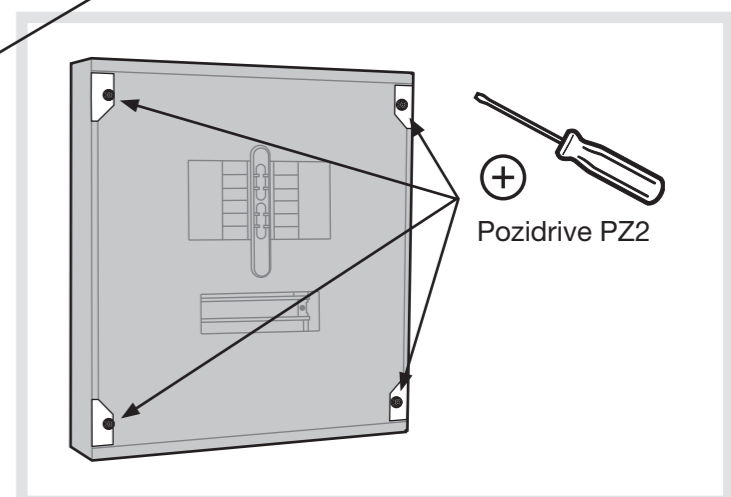
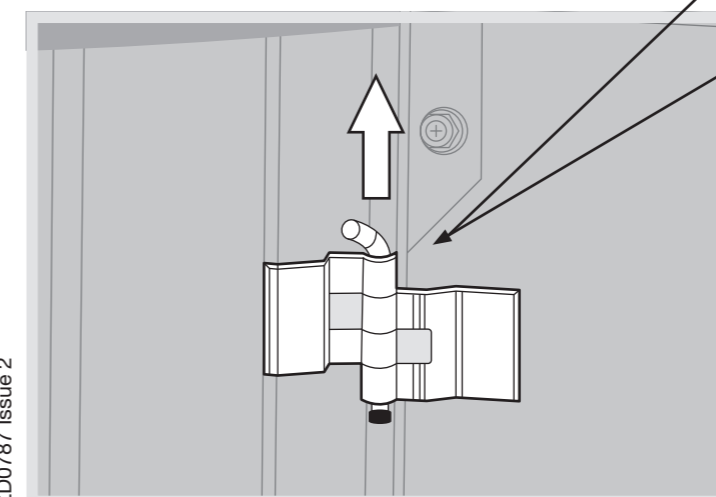
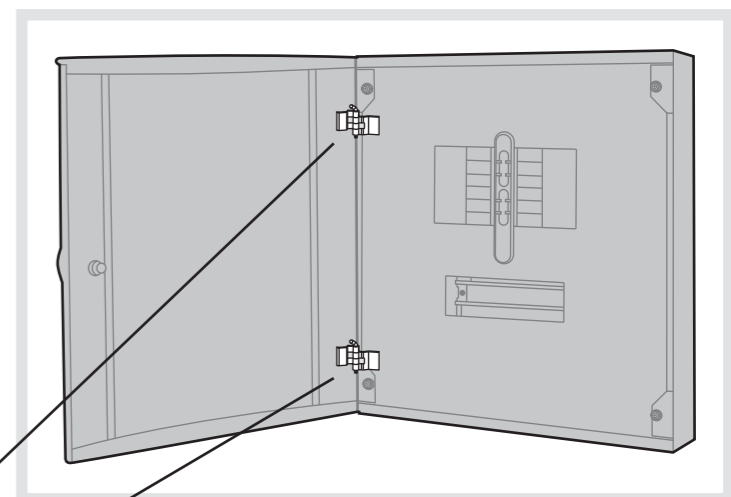
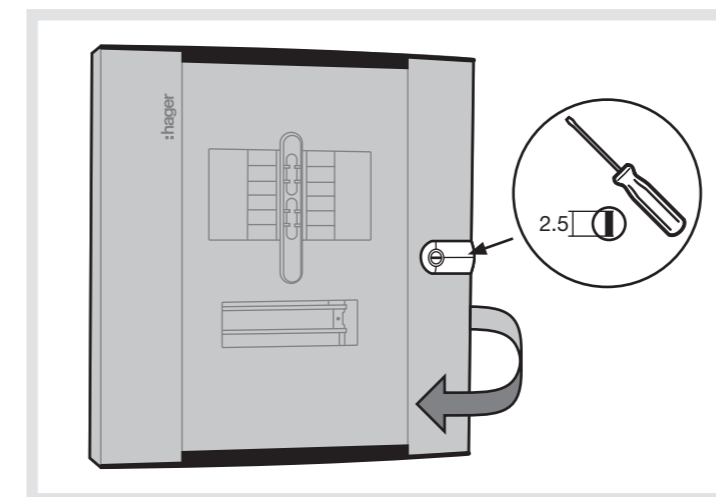
The Electricity at Work regulations and the Health and Safety at Work Act shall be complied with.

Only equipment and arrangements specified in Hager's technical documentation / catalogue shall be used

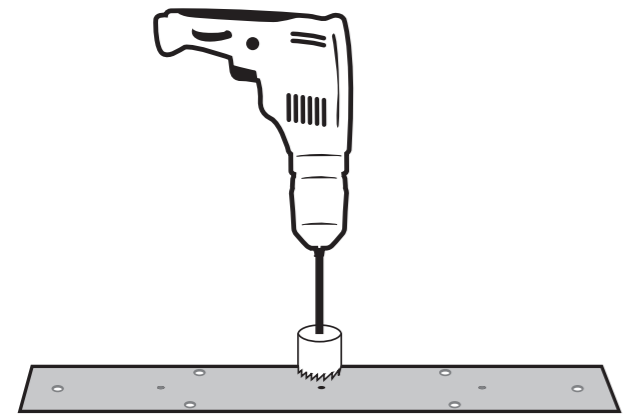
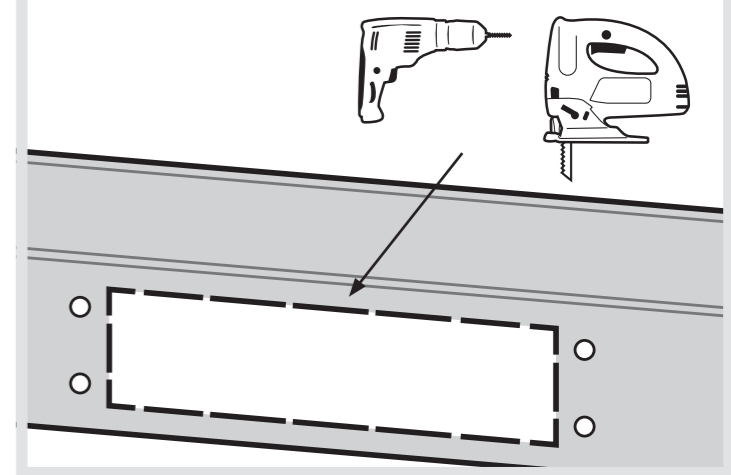
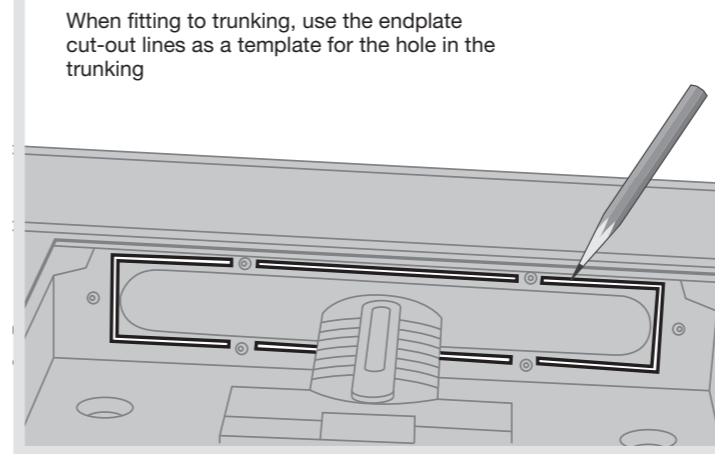
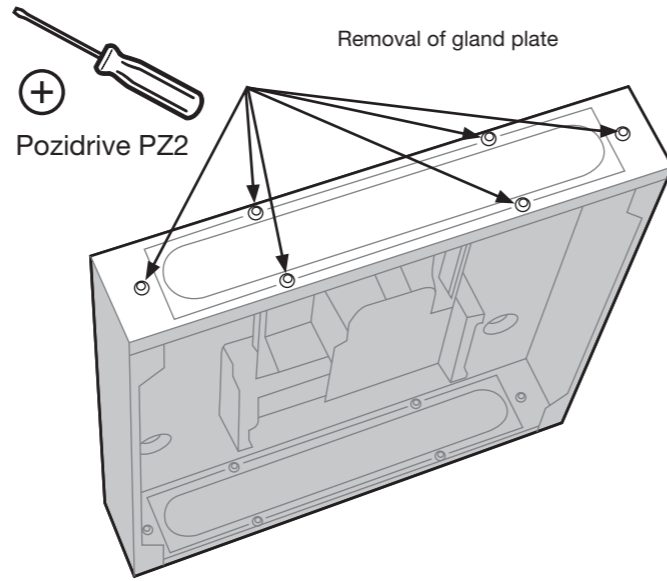
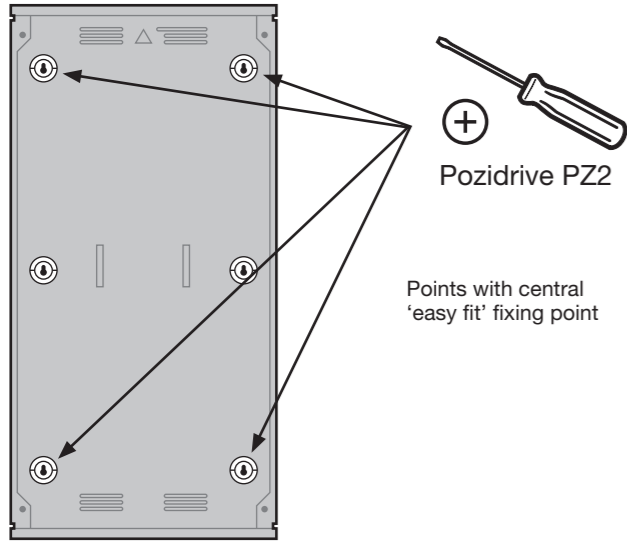
Install in the vertical plane only.

Notice:

To prevent potential overheating from loose connections the installer shall check connections are tightened to the torque levels stated in these instructions prior to energising this board. This check should include factory made connections which may have loosened in transit.



ZD0787 Issue 2



Drill centre mark provided when fitting SWA or conduit

