

iCON 15

Stylish toilet and bathroom ventilation



Key Features

- Axial fan
- Flow rate up to 68 m³/hr
- Stylish, slim and unobtrusive in walls or ceilings
- Low SFP 0.49 W/l/s
- Different colour covers available
- Unique iris shutter, prevents backdraughts, operates silently
- Interchangeable control modules match fan to installation requirements
- IPX4 rating
- Complies with Building Regulations
- 3 year warranty

iCON 15

iCON 15 is ideal for toilets, en-suites, shower rooms and bathrooms. Recessed into the wall or ceiling, it is stylish and unobtrusive, even in the smallest of spaces. The circular design means no squaring up is required, adding to the already simple installation procedure.

iCON 15 is designed to provide ventilation levels that comply with the latest Building Regulations. The iCON fan is an efficient, stylish and unique ventilation solution for

the modern home. The shutter design makes switching on and off almost silent and helps reduce external noise ingress.

The slim profile and iris shutter of the iCON make it a fan which will blend discreetly into any setting. The iCON 15 Shower Kit is supplied with adjustable timer module and ducting installation kit.



Modules

See page 70 for module functionality

72573602	Pull Cord
72612601	Timer
72687103	Humidity, Pull Cord with Timer overrun
72687104	Motion Sensor with Timer overrun
72687102	Motion Sensor Humidity Timer
72675701	Continuous Ventilation at 8/13 l/sec
72675702	Delayed Timer with Pull Cord
72675703	2 Speed Humidity Pull Cord boost



Technical Data

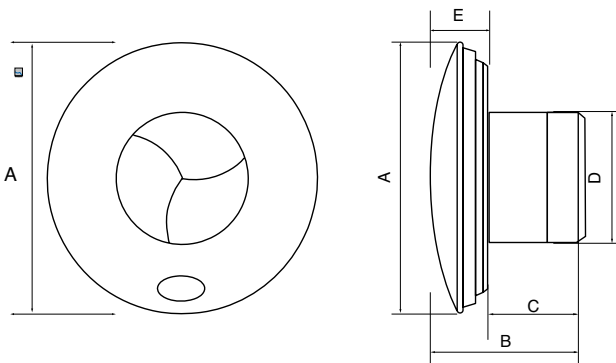
Specification	ICON 15	ICON 15C
Air flow m ³ /hr / l/sec	68 / 19	68 / 19
Fan type	Axial	Axial
Mounting	Wall / Ceiling	Wall / Ceiling
Sound pressure dB(A)@3m	35	35
Power watts	9.2	14.5
Specific Fan Power (SFP)	0.49	-
Building Regulations ADF	Yes	-
Duct diameter (mm)	100	100
Voltage	230/1/50Hz	230/1/50Hz
Rating	IPX4	IPX4
Max ambient temperature	40°C	40°C
Weight (kg)	0.74	0.74
Dimensions (H x W x D) mm	197 x 197 x 40	197 x 197 x 40
Part No.	72683501	72591501

Covers

52634504	Silver
52634505	Sandstone
52634502	Chrome
52634503	Anthracite

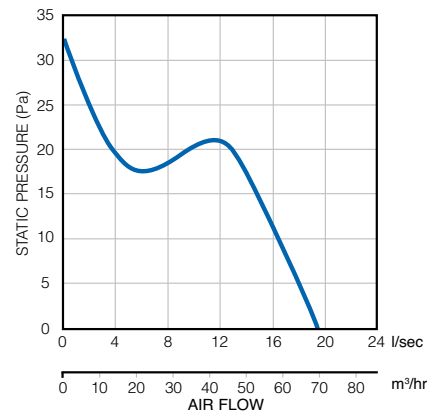


Dimensions (mm)



Model	A	B	C	D	E
ICON 15	197	108.5	68.5	100	40

Performance



Controls and Accessories

A range of accessories including flexible and rigid ducting kits, controls and grilles are available.

See accessories section from page 205 for more details.