

iCON 30

Stylish toilet, bathroom and utility room ventilation



Key Features

- Mixed flow fan
- Flow rate up to 118 m³/hr
- Recess or surface mounting
- Different colour covers available
- Perfect for longer duct runs
- Unique iris shutter, prevents backdraughts, operates silently
- Interchangeable control modules match fan to installation requirements
- Circular design, no squaring up
- IPX4 rating
- Complies with Building Regulations
- 3 year warranty

iCON 30

iCON 30 is quiet, powerful and designed for recessed or surface mounting in walls or ceilings in larger toilets, bathrooms and utility rooms.

iCON 30 is designed to provide ventilation levels that comply with the latest Building Regulations.

The iCON fan is an efficient, stylish and unique ventilation solution for the modern home. The shutter design makes switching on and off almost silent and helps reduce external noise ingress.

The slim profile and iris shutter of the iCON make it a fan which will blend discreetly into any setting.



Modules

See page 72 for module functionality

72573602	Pull Cord
72612601	Timer
72687103	Humidity, Pull Cord with Timer overrun
72687104	Motion Sensor with Timer overrun
72687102	Motion Sensor Humidity Timer
72675701	Continuous Ventilation at 8/13 l/sec
72675702	Delayed Timer with Pull Cord
72675703	2 Speed Humidity Pull Cord boost



Technical data

Specification	iCON 30
Air flow m ³ /hr / l/sec	118 / 32
Fan type	Mixed Centrifugal / Axial
Mounting	Wall / Ceiling
Sound pressure dB(A)@3m	33.6
Power watts	15.5
Building Regulations ADF	Yes
Duct diameter (mm)	100
Voltage	230v / 1ph / 50Hz
Rating	IPX4
Max ambient temperature	40°C
Weight (kg)	1.11
Dimensions (H x W x D) mm	225 x 225 x 141
Part No.	72591601

Covers

52634507	Silver
52634508	Sandstone
52634506	Anthracite



Silver

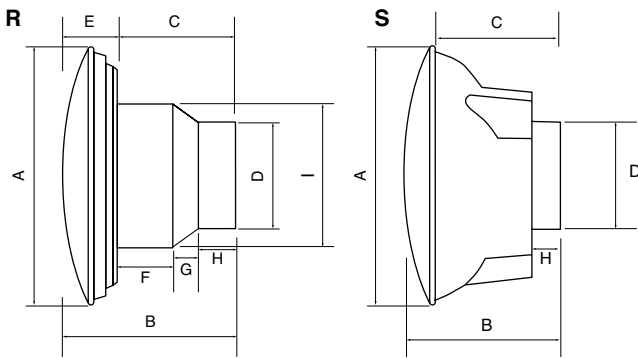


Sandstone



Anthracite

Dimensions (mm)

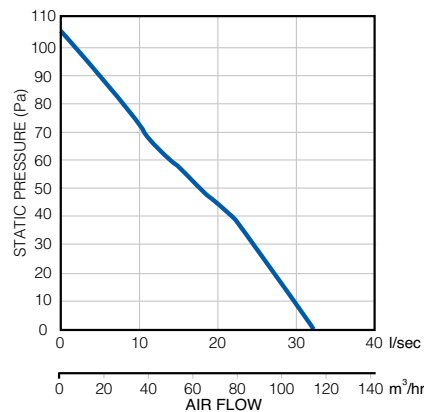


R = Recessed without skirt

S = Surface mounted with skirt

Model	A	B	C	D	E	F	G	H	I
iCON 30 (R)	225	144	101	97	43	51	20	30	148
iCON 30 (S)	225	144	92	97	-	-	-	29	-

Performance



Controls and Accessories

A range of accessories including flexible and rigid ducting kits, controls, switches and grilles are available.

Call: 01494 560800

Visit: airflow.com



Airflow Developments Limited
Aidelle House, Lancaster Road,
Cressex Business Park,
High Wycombe, Buckinghamshire,
United Kingdom, HP12 3QP

E-mail: info@airflow.com
Telephone: +44 (0) 1494 525252

airflow.com

© Airflow Developments Limited. Airflow Developments Limited reserve the right, in the interests of continuous development, to alter specifications without prior notice. All orders are accepted subject to our conditions of sale which are available on request.

