

iCON 60

Stylish large bathroom, utility room and kitchen ventilation



Key Features

- Mixed flow fan
- Flow rate up to 260 m³/hr
- Recess or surface mounting
- Different colour covers available
- Perfect for longer duct runs
- Unique iris shutter, prevents backdraughts, operates silently
- Interchangeable control modules match fan to installation requirements
- Circular design, no squaring up
- IPX4 rating
- Complies with Building Regulations - ADF
- 3 year warranty

iCON 60

iCON 60 is the largest, most powerful fan in the range. It is suitable for recessed or surface mounting in walls or ceilings and is highly efficient in domestic kitchens, large bathrooms and utility rooms.

iCON 60 is designed to provide ventilation levels that comply with the latest Building Regulations.

The iCON fan is an efficient, stylish and unique ventilation solution for the modern home. The shutter design makes switching on and off almost silent and helps reduce external noise ingress. The slim profile and iris shutter of the iCON make it a fan which will blend discreetly into any setting.



Modules

| | |
|----------|--|
| 72573602 | Pull Cord |
| 72612601 | Timer |
| 72687103 | Humidity, Pull Cord with Timer overrun |
| 72687104 | Motion Sensor with Timer overrun |
| 72687102 | Motion Sensor Humidity Timer |
| 72675701 | Continuous Ventilation at 8/13 l/sec |
| 72675702 | Delayed Timer with Pull Cord |
| 72675703 | 2 Speed Humidity Pull Cord boost |



Technical data

| Specification | ICON 60 |
|-------------------------------------|---------------------------|
| Air flow m ³ /hr / l/sec | 270 / 75 |
| Fan type | Mixed Centrifugal / Axial |
| Mounting | Wall / Ceiling |
| Sound pressure dB(A)@3m | 42 |
| Power Watts | 63.1 |
| Building Regulations ADF | Yes |
| Duct diameter (mm) | 150 |
| Voltage | 230v / 1ph / 50Hz |
| Rating | IPX4 |
| Max ambient temperature | 40°C |
| Weight (kg) | 1.97 |
| Dimensions (H x W x D) mm | 280 x 280 x 165 |
| Part No. | 72591701 |

Covers

| | |
|----------|------------|
| 52634510 | Silver |
| 52634511 | Sandstone |
| 52634509 | Anthracite |



Silver

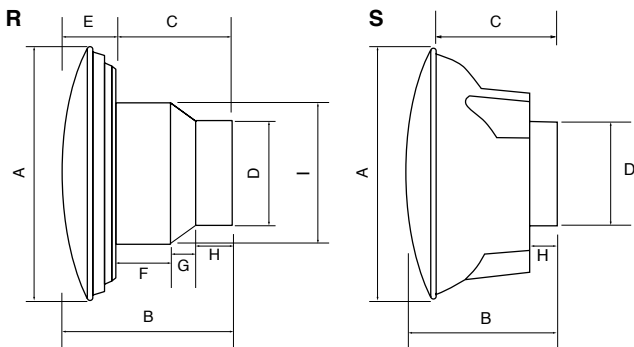


Sandstone



Anthracite

Dimensions (mm)

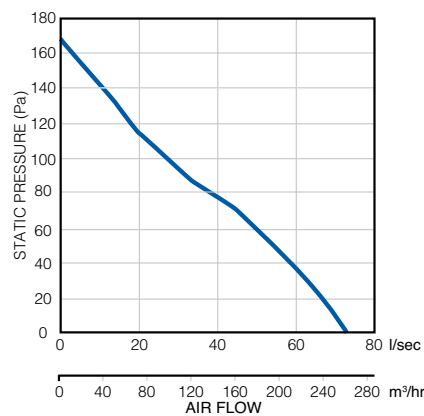


R = Recessed without skirt

S = Surface mounted with skirt

| Model | A | B | C | D | E | F | G | H | I |
|-----------|-----|-----|-----|-----|----|----|----|----|-----|
| iCON 60 R | 280 | 165 | 110 | 148 | 55 | 38 | 20 | 52 | 177 |
| iCON 60 S | 280 | 165 | 80 | 148 | - | - | - | 46 | - |

Performance



Controls and Accessories

A range of accessories including flexible and rigid ducting kits, controls, switches and grilles are available.

Call: 01494 560800

Visit: airflow.com



Airflow Developments Limited
Aidelle House, Lancaster Road,
Cressex Business Park,
High Wycombe, Buckinghamshire,
United Kingdom, HP12 3QP

E-mail: info@airflow.com
Telephone: +44 (0) 1494 525252

airflow.com

© Airflow Developments Limited. Airflow Developments Limited reserve the right, in the interests of continuous development, to alter specifications without prior notice. All orders are accepted subject to our conditions of sale which are available on request.

