



Technical Data

Round Pin And Export Socket Outlets

Brief product description:

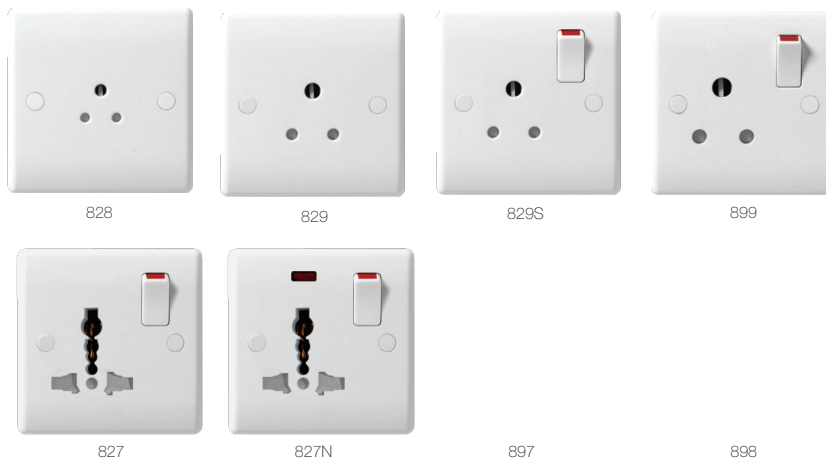
The subtle design will blend with any décor - suitable for domestic or commercial installations.

Universal socket will accept BS, USA & CEE plugs.

Features:

- Stylish modern profile
- Covers to conceal fixing screws
- Colour coded terminals for easy installation
- Colour coded terminals with backed out captive screws for easy installation

Product Images

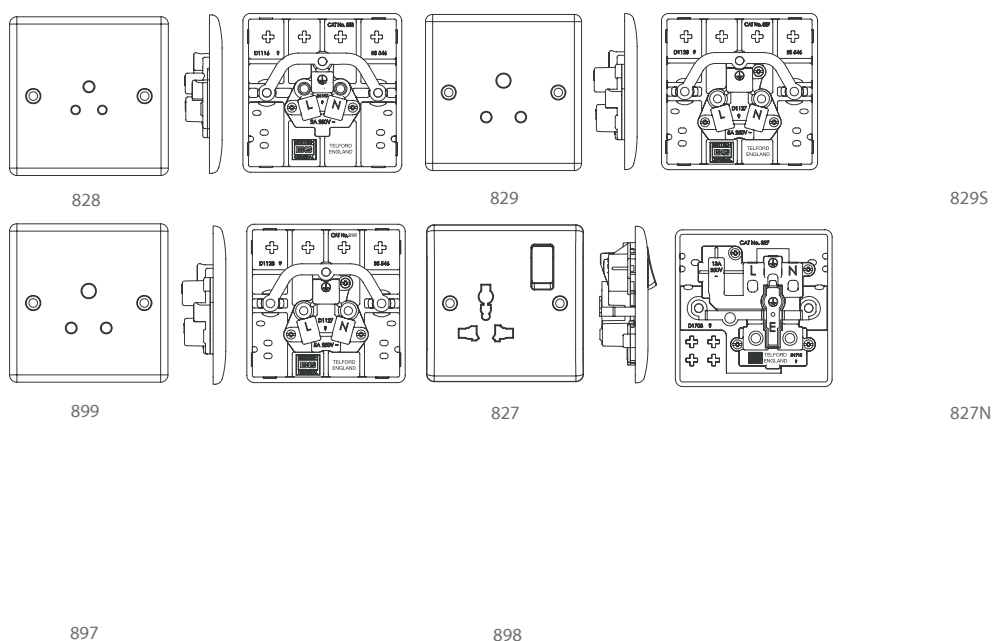


Technical Specifications

Standard(s)	BS 546 (828, 829, 829s, 899 products) BS 5733 (897, 898 products)
Rating	2 Amp 250V~ (828 products) 5 Amp 250V~ (829, 829S products) 13 Amp 250V~ (827, 827N products) 15 Amp 250V~ (829 products) 16 Amp 250V~ (897, 898 products)
Contact Gap	3.0mm minimum (827, 827N, 829S, 899 products)
Switch type	Single pole (827, 827N, 829S, 897, 898, 899 products)
Terminal Capacity - L & N	4 x 1.0mm ² 3 x 1.5mm ² 1 x 2.5mm ² 1 x 4.0mm ² (828, 829, 829S products) 3 x 2.5mm ² 3 x 4mm ² 2 x 6.0mm ² (827, 827N, 899 products)
RoHS Directive	No
WEEE Directive	No
Mounting Box Depth(Min)	25mm (828, 829, 829S, 898 products) 35mm (827, 827N, 899 products)
Fixing Centres	60.3mm
Size	86mm x 86mm x 24mm (828 product) 86mm x 86mm x 23.6mm (829, 829S products) 86mm x 86mm x 31mm (899 product) 86mm x 86mm x 32mm (827, 827N products) 86mm x 86mm x 32.4mm (897 product) 86mm x 86mm x 25.2mm (898 product)

Round Pin And Export Socket Outlets

Line Diagrams



Packaging Information

Cat No.	Description	Packaging Type			Pack Quantity			Barcode		
		Product	Inner Box	Outer Box	Each	Inner Box	Outer Box	Individual	Inner Box	Outer Box
828	2A 1G, USW SKT	Nexus PolyBag	Nexus Inner	Nexus Outer	1	10	100	5050765000716		
829	5A 1G, USW SKT	Nexus PolyBag	Nexus Inner	Nexus Outer	1	10	100	5050765000826		
829S	5A 1G, SW SKT	Nexus PolyBag	Nexus Inner	Nexus Outer	1	10	100	5050765018050		
899	15A 1G, SW SKT	Nexus PolyBag	Nexus Inner	Nexus Outer	1	10	100	5050765000888		
827	1G Uni-SW SKT	Nexus PolyBag	Nexus Inner	Nexus Outer	1	10	100	5050765002868		
827N	1G Uni-SW SKT+Neon	Nexus PolyBag	Nexus Inner	Nexus Outer	1	10	100	5050765004411		
897	16A 1G Euro SKT	Nexus PolyBag	Nexus Inner	Nexus Outer	1	10	100	5050765002806		
898	16A 2G Euro SKT	Nexus PolyBag	Nexus Inner	Nexus Outer	1	10	100	5050765002837		

Weights & Dimensions

Cat No.	Description	Dimension (W x L x H) cm			Weight (g)			CMB (m ³)
		Product	Inner Box	Outer Box	Each	Inner Box	Outer Box	Outer Box
828	2A 1G, USW SKT	9.2 x 9.2 x	12.5 x 18 x 9.2	26 x 49.5 x 19	83	814	8600	0.024
829	5A 1G, USW SKT	9.2 x 9.2 x 2.37	15 x 18 x 9.2	31 x 49.5 x 19	77	844	9000	0.029
829S	5A 1G, SW SKT							
899	15A 1G, SW SKT	9.2 x 9.2 x 2.94	19 x 18 x 9.2	39 x 49.5 x 19	102.5	1125	12000	0.0366
827	1G Uni-SW SKT							
827N	1G Uni-SW SKT+Neon							
897	16A 1G Euro SKT							
898	16A 2G Euro SKT							

Round Pin And Export Socket Outlets

Installation Information

Safety Warning

Before use please read carefully and use in accordance with these safety wiring instructions.

Before commencing any electrical work ensure the supply **is switched off at the mains**. Either by switching off the consumer unit or by removing the appropriate fuse.

Wiring should be in accordance with the latest edition of the IEE regulations (BS 7671).

Wire Identification – Twin & Earth Cable

EARTH = Green/Yellow Slewing

NEUTRAL = Black (pre Apr 04) / Blue (after Apr 04)

LIVE = Red (pre Apr 04) / Brown (after Apr 04)



Technical Helpline: 0845 194 7584
If in doubt consult a competent electrician.

The ends of the individual conductors should have the insulation removed by approx. 12mm. Any bare earth conductors should be sleeved to within 12mm of the ends. (These details are for general information only and conductor lengths may need to be trimmed in certain installations).

General Installation Instructions

- 1) If using the new product to replace an old one, note the cable connections and wire up new product in the same way as the old one, with Earthing as stated in these instructions.
- 2) Ensure the mounting box (metal or patress) for either flush or surface mounting is the appropriate size for the product.
- 3) Route the cable through the most suitable entry point of the mounting box. If a metal box is used, a protective cable grommet should be used.
- 4) Cables should be prepared so a sufficient conductor length reaches the terminals. Strip the ends of the individual conductors so that an adequate length enters the terminals.
- 5) Carefully arrange the wiring to lie along the edges of the product or box, keeping the central area clear.
- 6) To assist with the correct installation please consult the appropriate wiring diagram on this leaflet.
- 7) When connecting the new accessory ensure that only the bare end of the wire enters the terminal, and no bare wires are visible.

Always tighten the terminal screws securely, but do not overtighten.

An earth connection should always be made between the mounting box earth terminal, and the accessory earth terminal, where fitted. If this earth wire is bare, it is essential that it is sheathed with a length of green/yellow sleeving.

8) Carefully position the accessory into the wall box, ensuring that no wires are trapped between the plate and the wall. Do not overtighten the screws. (Fit screw covers + clip-on)

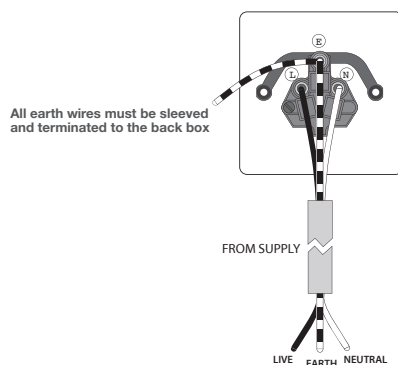
9) Once work has been completed correctly, replace the fuse for the circuit, switch the power back on, and test.

The product is now ready for use.

* Note - If your installation uses a four lug metal mounting box, remove the top and bottom lugs or bend fully back.

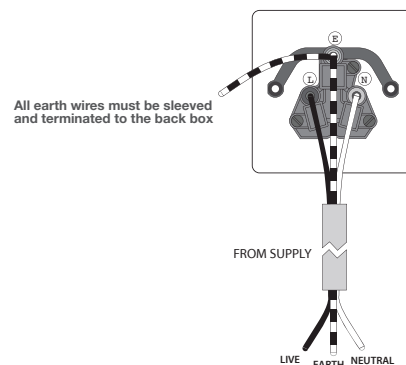
2 Amp Unswitched Socket

Connect the cables as shown in the diagram.



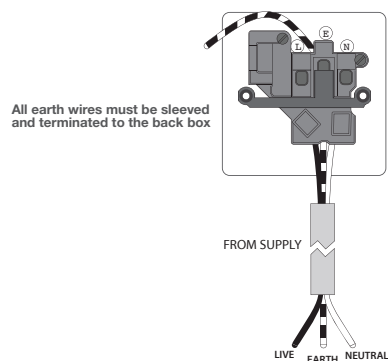
5 Amp Unswitched Socket

Connect the cables as shown in the diagram.



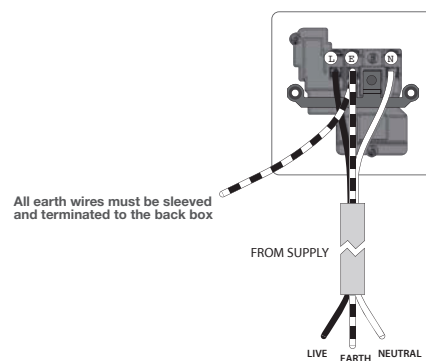
5 Amp Switched Socket

Connect the cables as shown in the diagram.



15 Amp Switched Socket

Connect the cables as shown in the diagram.





Technical Data

Round Pin And Export Socket Outlets

Brief product description:

A standard range of white moulded wall accessories offering superb quality and exceptional value.
Universal socket will accept BS, USA & CEE plugs.

Features:

- A standard design - suitable for domestic or commercial installations.
- Flush Neon Indicator on 999N
- Colour coded terminals with backed out captive screws for easy installation

Product Images



928

929



999



999N



995

997



994

969

Technical Specifications

Standard(s)	BS 546 (928, 929, 999, 999N products) BS 5733 (997 products)
Rating	2 Amp 250V~ (928 products) 5 Amp 250V~ (929 products) 15 Amp 250V~ (999, 999N products) 16 Amp 125/250V~ (997 products)
Contact Gap	3.0mm minimum (999, 999N products)
Switch type	Single pole (999, 999N products)
Terminal Capacity - L & N	4 x 1.0mm ² 3 x 1.5mm ² 1 x 2.5mm ² 1 x 4.0mm ² (928, 929 products) 3 x 2.5mm ² 3 x 4mm ² 2 x 6.0mm ² (999, 999N products) 2 x 1.5mm ² 1 x 2.5mm ² 1 x 4.0mm ² (997 products)
RoHS Directive	No
WEEE Directive	No
Mounting Box Depth(Min)	25mm (928, 929 products) 35mm (999, 999N products)
Fixing Centres	60.3mm
Size	86mm x 86mm x 24mm (928 product) 86mm x 86mm x 23.6mm (929 products) 86mm x 86mm x 32mm (999, 999N products) 86mm x 86mm x 32.4mm (997 product)

Round Pin And Export Socket Outlets

Packaging Information

Cat No.	Description	Packaging Type			Pack Quantity			Barcode		
		Product	Inner Box	Outer Box	Each	Inner Box	Outer Box	Individual	Inner Box	Outer Box
928	2A 1G, USW SKT	Plain Bag	Plain Inner	Plain Outer	1	10	100	/		
929	5A 1G, USW SKT	Plain Bag	Plain Inner	Plain Outer	1	10	100	/		
999	15A 1G, SW SKT	Plain Bag	Plain Inner	Plain Outer	1	10	100	/	5021166999095	5021166999088
999N	15A 1G, SW SKT+Neon	Plain Bag	Plain Inner	Plain Outer	1	10	100	/		
995	1G Uni-SW SKT	Plain Bag	Plain Inner	Plain Outer	1	10	100	/		
997	1G Shutter Euro SKT	Plain Bag	Plain Inner	Plain Outer	1	10	100	/		
994	16A 2G Euro SKT	Plain Bag	Plain Inner	Plain Outer	1	10	100	/	5021166994090	5021166994083
969	2A 1G SKT	Plain Bag	Plain Inner	Plain Outer	1	10	100	/		

Weights & Dimensions

Cat No.	Description	Dimension (W x L x H) cm			Weight (g)			CMB (m ³)
		Product	Inner Box	Outer Box	Each	Inner Box	Outer Box	Outer Box
928	2A 1G, USW SKT		13.2 x 15 x 9	27 x 46.5 x 16				0.020088
929	5A 1G, USW SKT		14.5 x 15 x 9	30 x 46.5 x 16				0.02232
999	15A 1G, SW SKT		17.5 x 16.5 x 9.2	36.5 x 49 x 17.5			11900	0.03129875
999N	15A 1G, SW SKT+Neon		17.5 x 16.5 x 9.2	36.5 x 49 x 17.5			11900	0.03129875
995	1G Uni-SW SKT		14 x 17.6 x 9.2	28.8 x 48.1 x 18.3			9610	0.025350624
997	1G Shutter Euro SKT		14.7 x 17 x 9.2	30.3 x 48 x 17.6			8530	0.02559744
994	16A 2G Euro SKT		15.5 x 17.5 x 9.2	32 x 49 x 17.8			10428	0.0279104
969	2A 1G SKT							

Installation Information

Safety Warning

Before use please read carefully and use in accordance with these safety wiring instructions.

Before commencing any electrical work ensure the supply is **switched off at the mains**. Either by switching off the consumer unit or by removing the appropriate fuse.

Wiring should be in accordance with the latest edition of the IEE regulations (BS 7671).

Wire Identification – Twin & Earth Cable

EARTH = Green/Yellow Slewing

NEUTRAL = Black (pre Apr 04) / Blue (after Apr 04)

LIVE = Red (pre Apr 04) / Brown (after Apr 04)



Technical Helpline: 0845 194 7584
If in doubt consult a competent electrician.

The ends of the individual conductors should have the insulation removed by approx. 12mm. Any bare earth conductors should be sleeved to within 12mm of the ends. (These details are for general information only and conductor lengths may need to be trimmed in certain installations).

General Installation Instructions

- 1) If using the new product to replace an old one, note the cable connections and wire up new product in the same way as the old one, with Earthing as stated in these instructions.
- 2) Ensure the mounting box (metal or patress) for either flush or surface mounting is the appropriate size for the product.
- 3) Route the cable through the most suitable entry point of the mounting box. If a metal box is used, a protective cable grommet should be used.
- 4) Cables should be prepared so a sufficient conductor length reaches the terminals. Strip the ends of the individual conductors so that an adequate length enters the terminals.
- 5) Carefully arrange the wiring to lie along the edges of the product or box, keeping the central area clear.
- 6) To assist with the correct installation please consult the appropriate wiring diagram on this leaflet.
- 7) When connecting the new accessory ensure that only the bare end of the wire enters the terminal, and no bare wires are visible.

Always tighten the terminal screws securely, but do not overtighten.

An earth connection should always be made between the mounting box earth terminal, and the accessory earth terminal, where fitted. If this earth wire is bare, it is essential that it is sheathed with a length of green/yellow slewing.

8) Carefully position the accessory into the wall box, ensuring that no wires are trapped between the plate and the wall. Do not overtighten the screws. (Fit screw covers + clip-on)

9) Once work has been completed correctly, replace the fuse for the circuit, switch the power back on, and test.

The product is now ready for use.

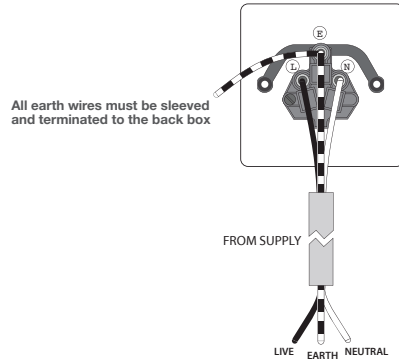
* Note - If your installation uses a four lug metal mounting box, remove the top and bottom lugs or bend fully back.

Round Pin And Export Socket Outlets

Installation Information

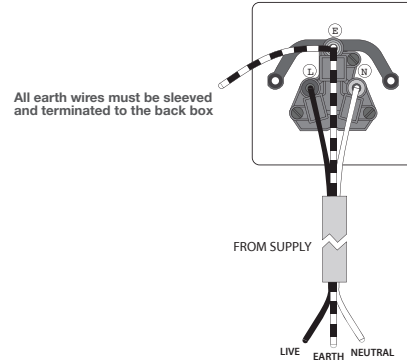
2 Amp Unswitched Socket

Connect the cables as shown in the diagram.



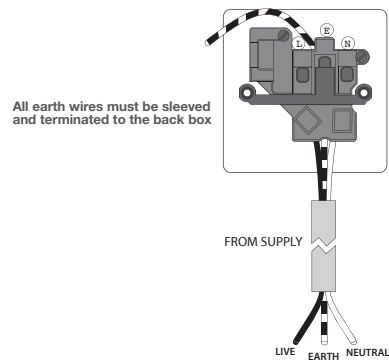
5 Amp Unswitched Socket

Connect the cables as shown in the diagram.



5 Amp Switched Socket

Connect the cables as shown in the diagram.



15 Amp Switched Socket

Connect the cables as shown in the diagram.

