

Compliant to British Standard  
BS 8567: 2012



**TRICEL**  
CONSTRUCTION

## Electric meter box (UK standard recessed)

STOCK CODE: EBP0011

### SPECIFICATION AND KEY FEATURES

- Compliant to British Standard BS 8567:2012.
- Fire retardant to BS 476, Part. 7, 1997, Class 2.
- Complies to ESI standard 12-3 April, 1986.
- Constructed from GRP – Glass Reinforced Plastic.
- Suitable for all meters including prepay and smart.
- Will not corrode, weather resistant.
- Easily cleaned and can be painted.
- Cable entry and meter tail positions are pre-drilled and supplied with in-fill cap, cable entry position via hockey stick (not supplied)
- Complete with timber backboard, hinges, lock and key.
- Hinges on right.

### INSTALLATION

This meter box should be installed by a qualified electrician.

Minimum wall cut out 535mm x 365mm.

### ASSOCIATED PRODUCTS

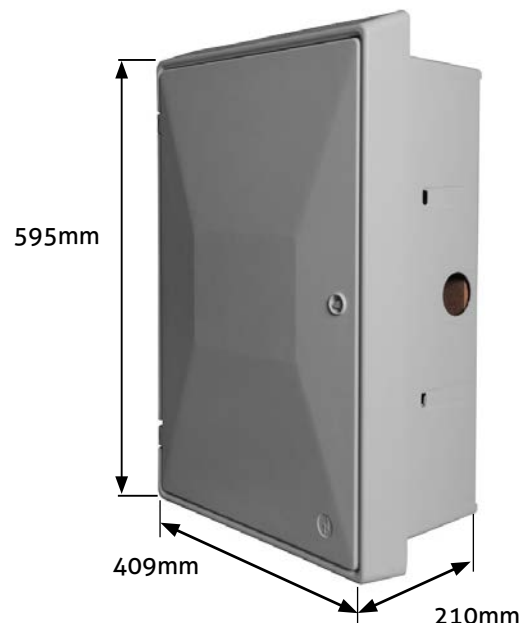
Spare key (170001).

Hockey stick 38mm –Black (EC1001).

Spare door (EDP0008).

### DIMENSIONS

595mm high x 409mm wide x 210mm deep.



\* Approximate dimensions.

In accordance with Tricel's normal policy of product development these specifications are subject to change without notice.

Tricel (Gloucester) Ltd. - Fox House, Stonedale Road, Stonehouse, Gloucestershire, GL10 3SA, United Kingdom.

Tel: +44 (0) 1453 791 616 | Email: sales@uk.tricel.eu | [www.uk.tricel.eu](http://www.uk.tricel.eu)